

# K03DxxxS05 Series Current Sensor

The K03DxxxS05 series is a Open-Loop current sensor based on the Hall effect. It provides electronic measurement of DC, AC or pulse currents at same time, and their combinations with galvanic between the primary (high current) and secondary circuits.



## Features

- Non-contact measurement of high current
- Output voltage proportional to carried current
- Max. measuring range  $\pm 1000\text{A}$  (DC or AC peak)
- High output range up to  $\pm 800 \text{ mV}/I_{\text{pn}}$
- Electrical isolation between the primary conductor and the sensor output
- Superior temperature stability and linearity
- High frequency bandwidth 120kHz
- Compact size for applications with limited space
- RoHs compliance (Lead-Free)

## Applications

- Frequency converters
- Servo motor drives
- Battery management systems
- Welding applications

## Advantages

- Fast response  $3\mu\text{s}$ , minimal noise output
- High immunity from external interference
- High ESD sensitivity (Human Body Model) 8kV

## Standards

- IEC 60068-2 Series
- EN 61000-4 Series
- EN 50178: 1998
- IEC 61800-3: 2017
- IEC 61800-5-1: 2016

## Absolute maximum ratings

Symbol	Parameter	Min.	Max.	Unit
$V_{DD\ max.}$	Maximum supply voltage (not destructive)	-0.3	6.5	V
$I_{PM}$	Maximum measuring current	-1000	1000	A
$T_A$	Ambient operating temperature	-40	105	°C
$T_S$	Storage temperature range	-40	105	°C
$V_{ESD-HBM}$	ESD sensitivity HBM (Human Body Model)	8		kV

Stresses above these ratings may cause permanent damage. Exposure to absolute maximum ratings for extended periods may degrade reliability.

## Specifications ( $T_A = 25^\circ\text{C}$ , $V_{DD} = 5.0\text{V}$ )

Symbol	Parameter	Test condition	Min.	Typ.	Max.	Unit
$V_{DD}$	Supply voltage		4.5	5	5.5	V
$I_C$	Current consumption	$I_p=0\text{A}$ without load		14	20	mA
$I_{PN}$	Current nominal measuring range	K03D050S05	-125	±50	125	A
		K03D100S05	-300	±100	300	
		K03D200S05	-600	±200	600	
		K03D300S05	-900	±300	900	
		K03D400S05	-1000	±400	1000	
		K03D500S05	-1000	±500	1000	
		K03D600S05	-1000	±600	1000	
$R_L$	Output load resistance	$V_{OUT}$ to GND		5		kΩ
$C_L$	Output load capacitance	$V_{OUT}$ to GND		1	10	nF
$G$	Nominal sensitivity (customized available)	K03D050...600S05	@ $I_{PN}$ 800mV			mV/A
$TEB$	Full scale of $I_{PN}$ @ $T_A=25^\circ\text{C}$	K03D050...600S05		±1		%

## Specifications ( $T_A = 25^\circ\text{C}$ , $V_{DD} = 5.0\text{V}$ )

Symbol	Parameter	Test condition	Min.	Typ.	Max.	Unit
$V_{REF}$	Internal reference voltage	$I_P = 0\text{A}$	2.48	2.5	2.52	V
$V_O$	Zero current output voltage	$I_P = 0\text{A}$	$V_{REF}$			V
$V_{OE}$	Offset voltage $V_{OE} = V_O - V_{REF}$ ( $V_{DD} = 2.5\text{V}$ )	$I_P = 0\text{A}$	-20		20	mV
$T_{cVOE}$	Temperature coefficient of offset	$T_A = -40^\circ\text{C} \dots 105^\circ\text{C}$	-0.075		0.075	mV/ $^\circ\text{C}$
$T_{CG}$	Temperature coefficient of G	$T_A = -40^\circ\text{C} \dots 105^\circ\text{C}$ (except $T_{cVOE}$ )	-200		200	ppm/K
$\epsilon_L$	Non-linearity error	$\pm I_{PN}$ without offset	-1		1	%/ $I_{PN}$
$T_R$	Step response to 90% of $I_{PN}$	(Design target)		3	5	$\mu\text{s}$
<b>BW</b>	Frequency bandwidth(-3dB)			120		kHz

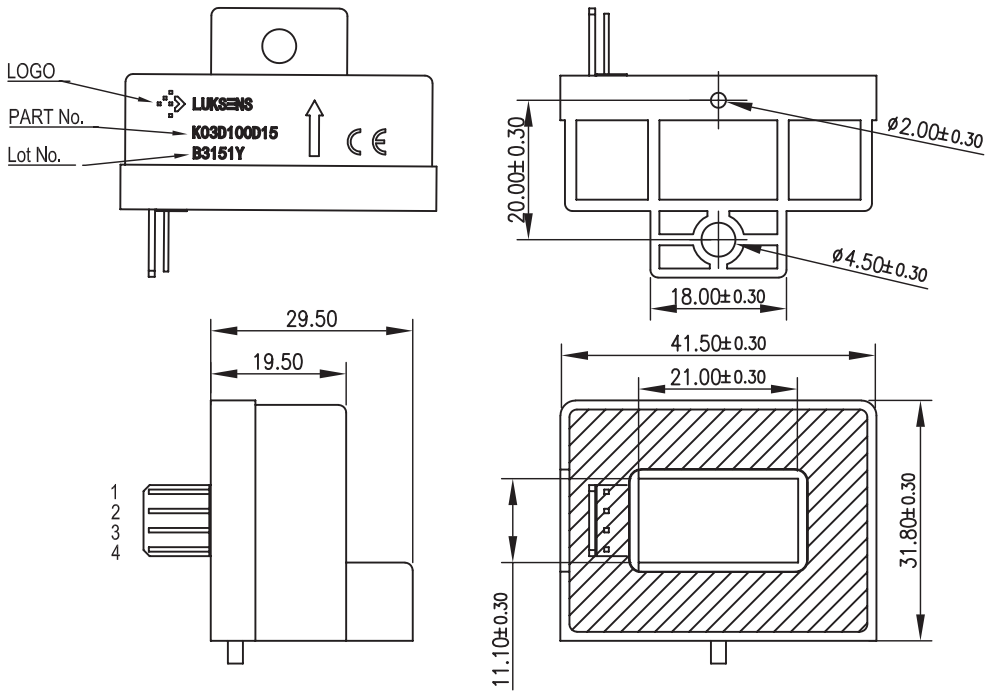
## Insulation characteristics

Symbol	Parameter	Value	Unit	Comment
$V_D$	Insulation voltage for isolation, 50Hz, 1 min	>4300	V	
$R_{ISO}$	Isolation resistance @500VDC	>500	M $\Omega$	
<b>D-CLE</b>	Clearance	6.3	mm	Shortest distance through air
<b>D-CRD</b>	Creepage distance	7.2	mm	Shortest path along sensor body

## General characteristics

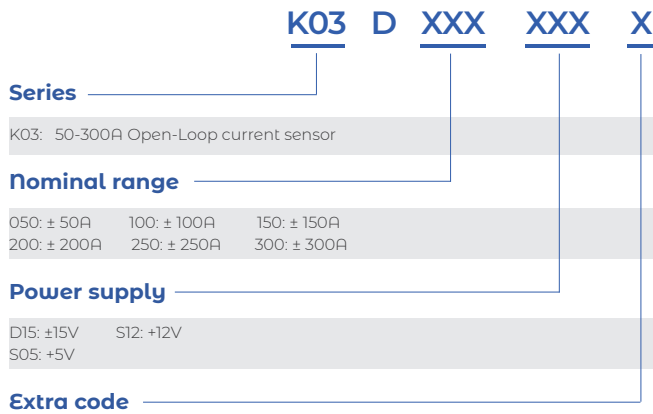
Symbol	Parameter	Value	Unit	Comment
<b>m-HSE</b>	Housing material	V0		Flame retardant UL 94
<b>m-CDT</b>	Conductor material	H62		0.3m $\Omega$ before welding on PCB
<b>m-FC</b>	Flux collector material	Oriented silicon steel		Superior magnetic permeability
<b>m</b>	Mass	50	grams	

## Dimension (mm)



Pin	Symbol
1	$V_{REF}$
2	$V_{OUT}$
3	GND
4	$+V_{DD}$

# Name Guide Description



## Notes

The content of this document is subject to revision without notice. Luksens shall have no liability for any error or damage of any kind resulting from the use of this document.

# Safety and Environment



The product is to be installed by manufacturer trained personnel or competent person trained in accordance with manufacturer installation instructions.

With respect to applicable standards IEC 61010-1/ EN 61010-1 *safety requirements for electrical equipment for measurement, control and laboratory use part 1 general requirements*, the product should be used in limited energy secondary circuits.



## Risk of electrical shock

Certain parts of the module can carry hazardous voltage during the operation process of the product because hazardous live voltage of primary conductor, power supply occurs, injury and/or serious damage will be caused if this warning is ignored.

Conducting parts must be inaccessible after installation of the product. Additional protection including shield or protective housing could be used according to IEC 60664 Insulation coordination for equipment within low-voltage supply systems.

Disconnection of the main supply will protect against possible injury and serious damage.



## ESD protection

Damage from an ESD event will occur if the personnel is not well grounded when handling.

## Important notice

Luksens reserves the right to make changes to or discontinue any product or service identified in this publication without notice. Luksens advises its customers to obtain the latest version of the relevant information to verify, before placing any orders. The information included herein is believed to be accurate and reliable. However, since additional design, measure, production, quality control take effect in the end product, therefore Luksens shall have no liability for any potential hazards, damages, injuries or less of life resulting from the end product.

Luksens products are not to be used in any equipment or system, including but not limited to life support equipment or systems, where failure of Luksens products may cause bodily harm.